

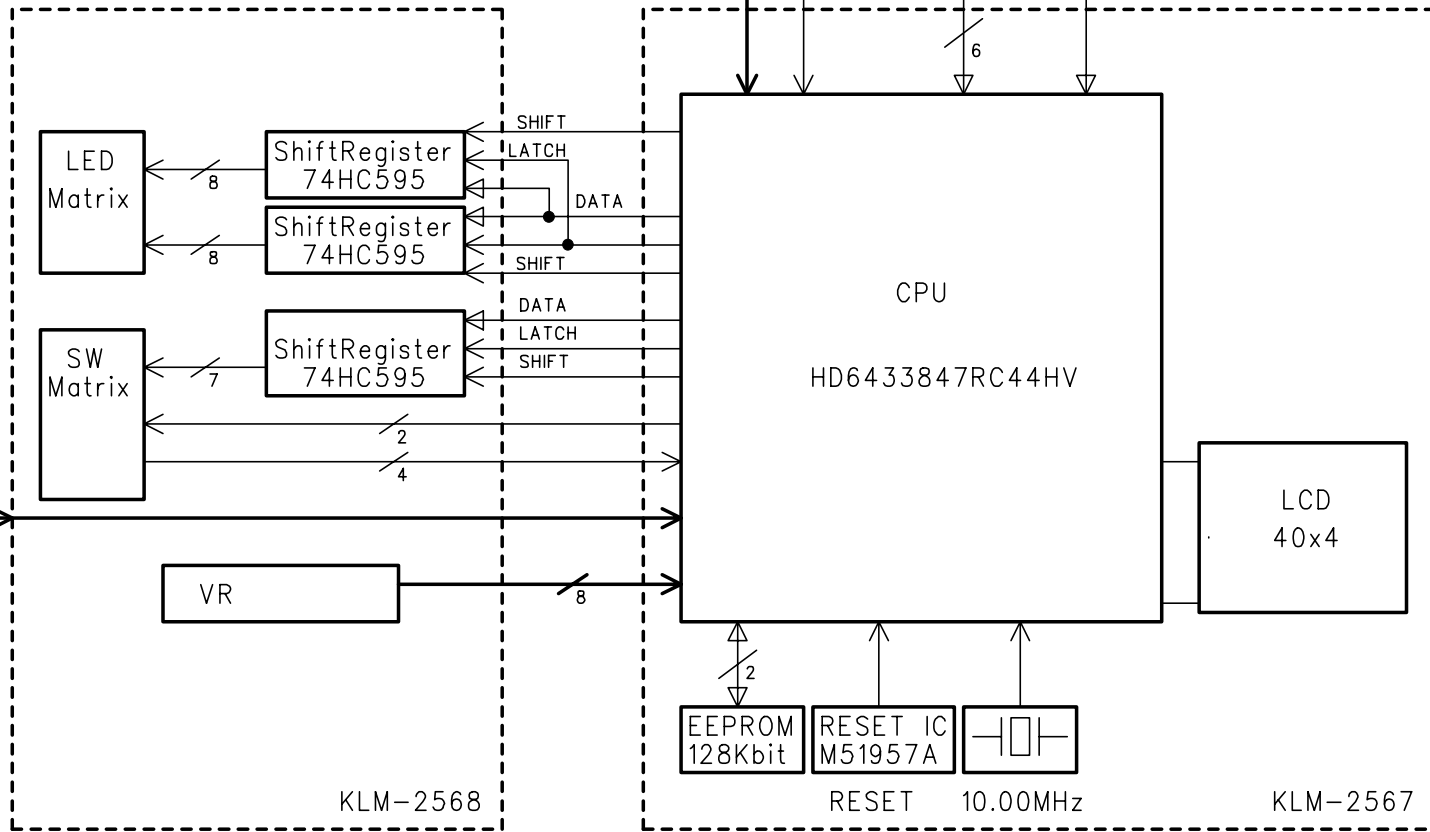
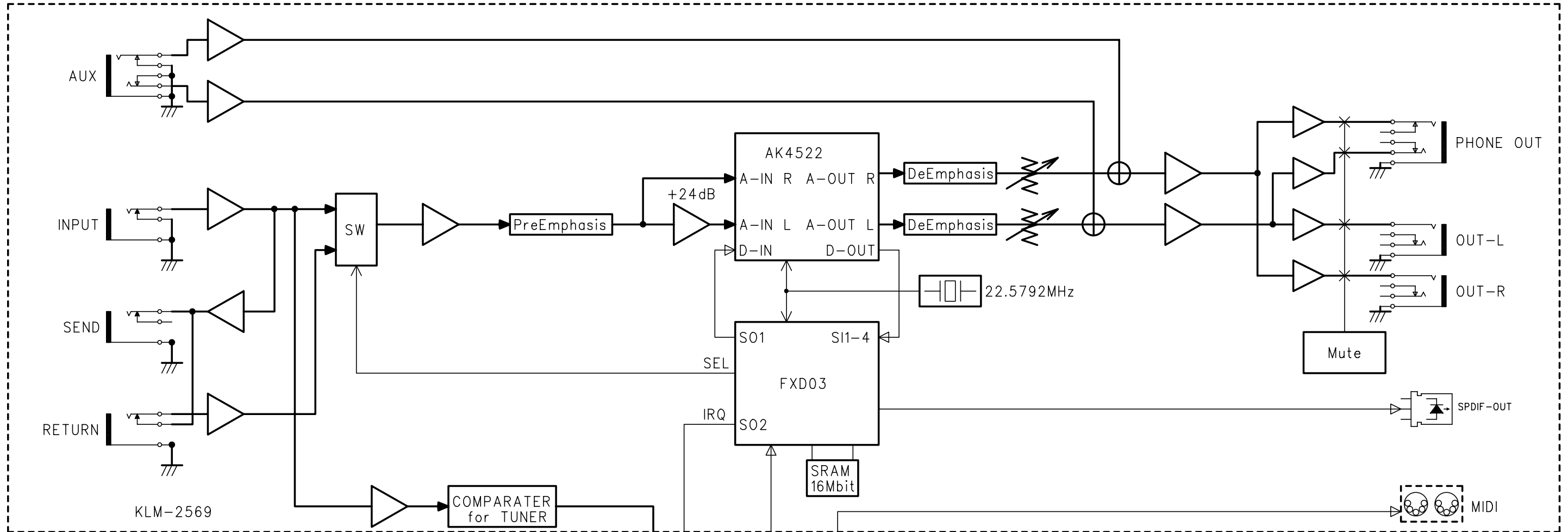
Service Manual

AX3000G / AX3000B

CONTENTS

Block Diagram	: Page 2
Circuit Diagrams	: Page 3 - 5
Test Mode Instruction	: Page 6 - 13
Parts List	: Page 14 - 17

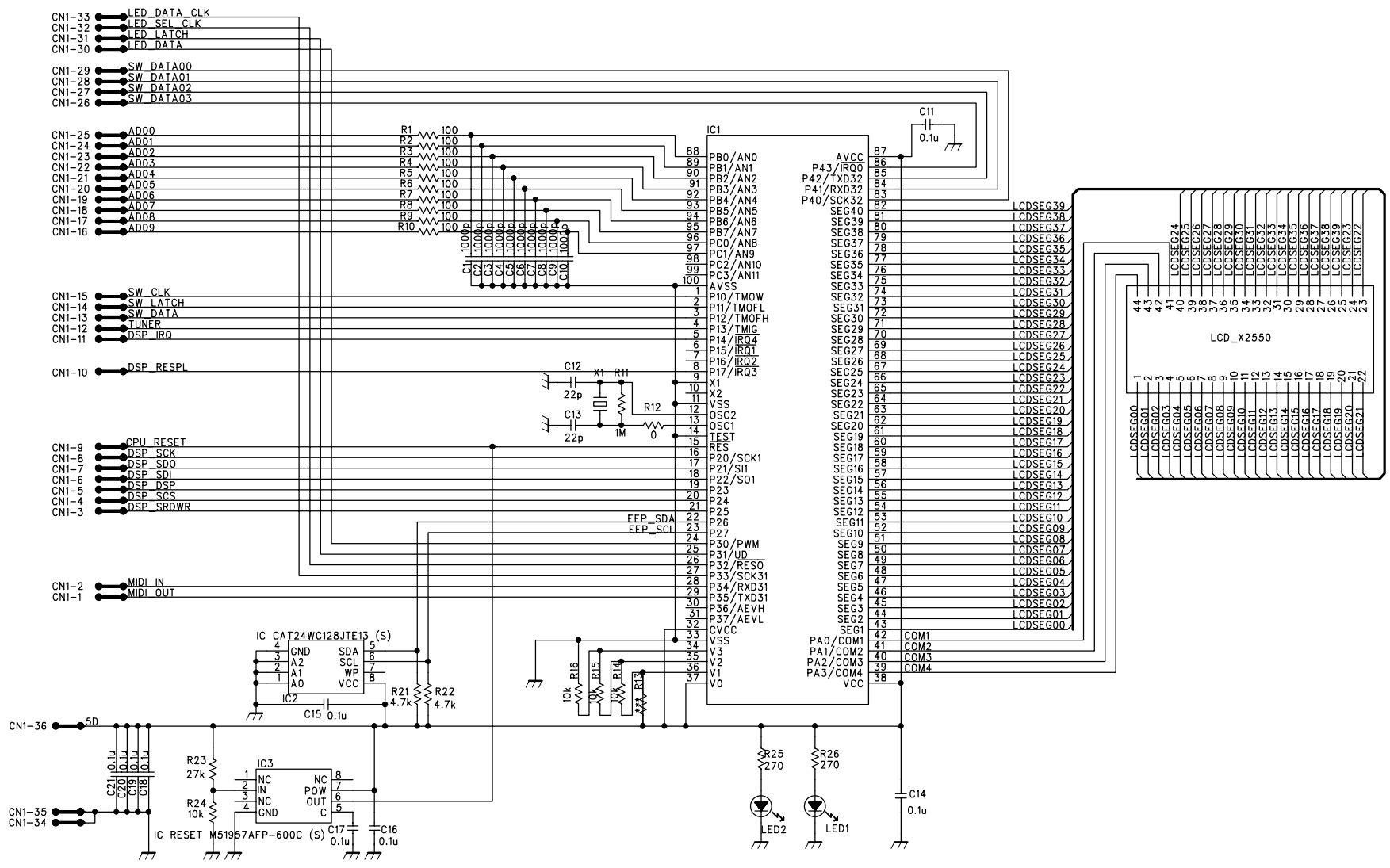
1st Edition
Issued date: February 3rd, 2006
Issued by: KORG Inc.



→ ANALOG DATA
 → AUDIO LINE
 → CONTROL LINE
 → SERIAL DATA

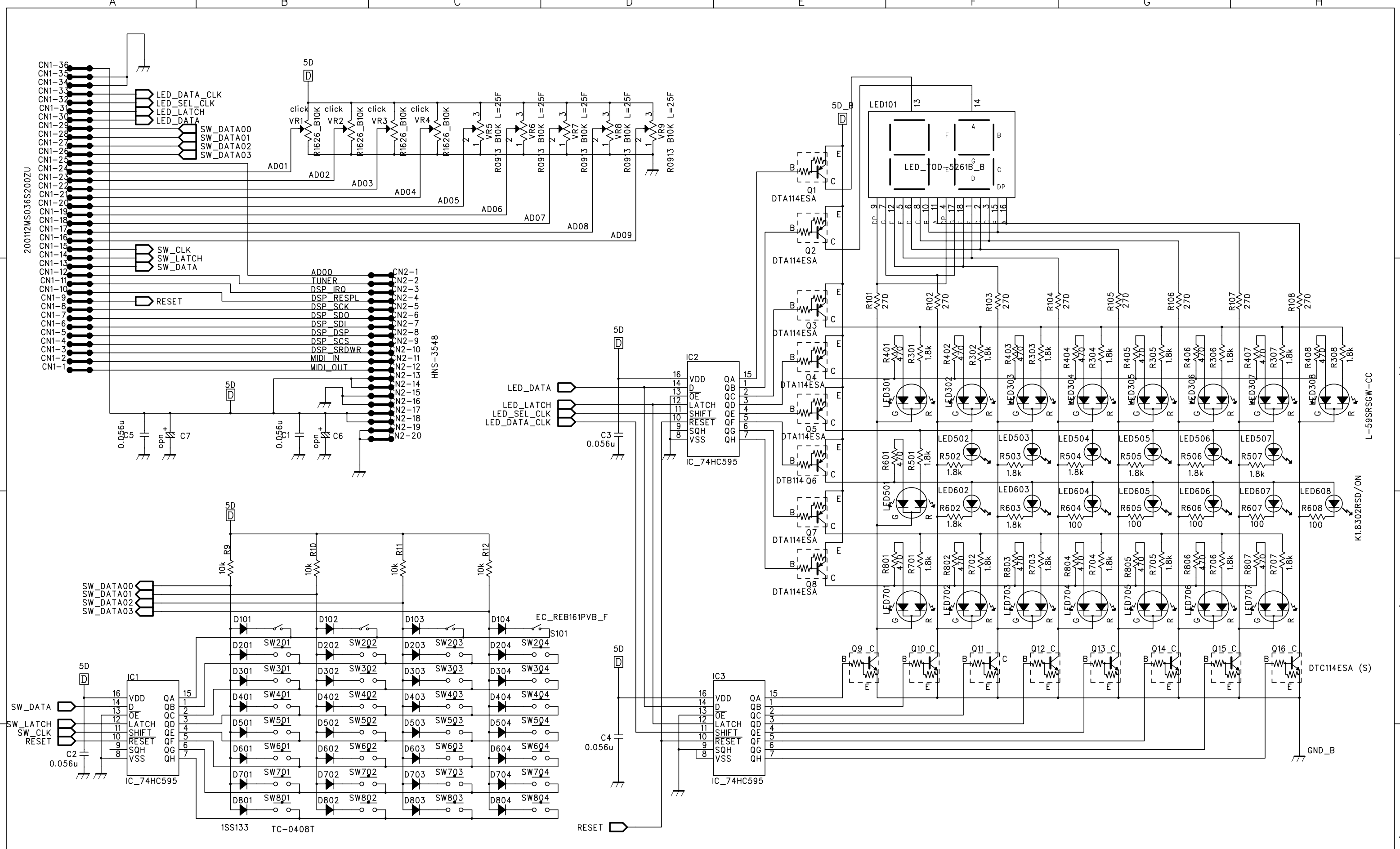
△			
△			
△			
△			
△			
MARK	REVISION REASON	DATE	REVISED BY

DRAWN BY	DESIGNED BY	CHECKED BY	MODEL AX3000G(X-3570)
Akashi	Akashi		TITLE
			SYSTEM BLOCK DIAGRAM
KORG		DRAWING NO. KOD-B40280	DATE '05.04.08



△			
△			
△			
△			
△			
MARK	REVISION REASON	DATE	REVISED BY

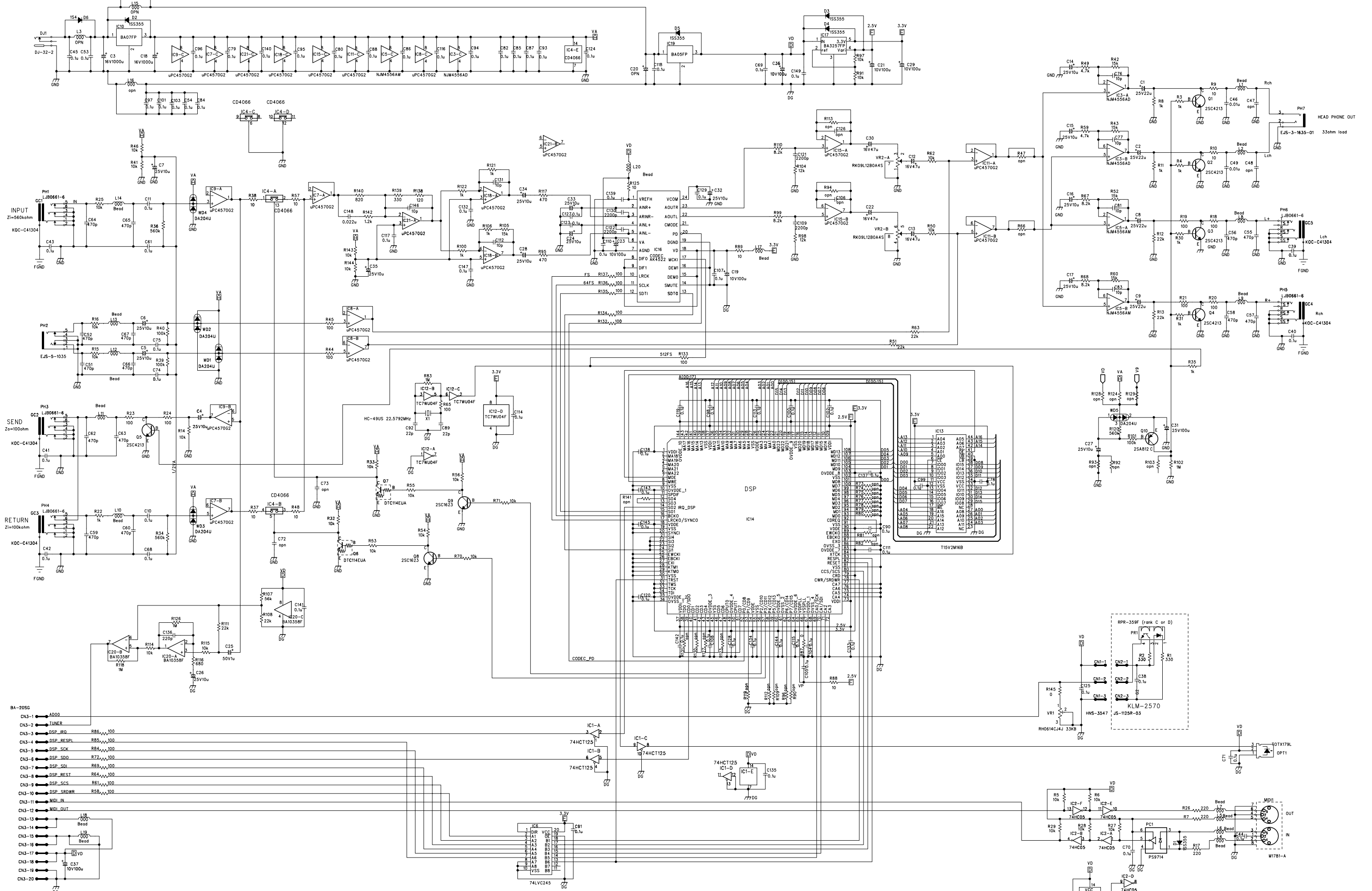
DRAWN BY	DESIGNED BY	CHECKED BY	MODEL X-3570
M.Lee	Y.Akashi		TITLE KLM-2567 LCD PCB
KORG		DRAWING NO. KOD-A40599	DATE '05.02.17



△			
△			
△			
△			
△			
MARK	REVISION REASON	DATE	REVISED BY

DRAWN BY	DESIGNED BY	CHECKED BY	MODEL X-3570
			TITLE
M-Lee	Y-Akashi		KLM-2568 Panel PCB
KORG		DRAWING NO.	DATE
		KOD-A30640	'05.04.04

L3,L15:NOT MOUNT
D6:Add 1S4



BA-205G

CN3-1	AD00
CN3-2	TUNER
CN3-3	DSP_IRQ R86, 100
CN3-4	DSP_RESPL R85, 100
CN3-5	DSP_SCK R84, 100
CN3-6	DSP_SDO R72, 100
CN3-7	DSP_SDI R89, 100
CN3-8	DSP_REST R84, 100
CN3-9	DSP_SCS R81, 100
CN3-10	DSP_SBDNR R86, 100
CN3-11	MIDI_IN
CN3-12	MIDI_OUT
CN3-13	
CN3-14	
CN3-15	
CN3-16	
CN3-17	
CN3-18	
CN3-19	
CN3-20	

DRAWN BY	DESIGNED BY	CHECKED BY	MODEL X-3570
M-Lee	Y-akashi		TITLE
			KLM-2569/70 Jack PCB
KORG		DRAWING NO.	DATE
		KOD-A30641	'05.11.21

AX3000G / 3000B TEST MODE instructions

How to start

Turn the power on by pressing following switches for each operation as follows.
 LCD shows AX3000G (or AX3000B) and software version number.
 Each checking mode starts when you release from those switches.

	Switches (to press)	Modes
[INTERNAL CHECK]	CABINET + EXP/CTL	Internal check → Operation Check
[OPERATION CHECK]	PRE FX + MODULATION	Operation Check
[MIDI CHECK]	AMP/LINE + WRITE	MIDI Check → Audio Check

INTERNAL CHECK

Before the power on, please connect the testing cable into both PHONE and INPUT jack. Also, put another testing cable into SEND and RETURN jack. Then rotate the LEVEL knob (next to PHONE jack) into maximum.

The following inspection items are run automatically.

During the procedure, item number and step are shown on BANK LED.

If any item is NG (no good), item name with NG is shown on LCD and BANK LED (item number and step number) stops with blinking.

Item	Step	Display on NG
1. I2C I/F (EEP ROM)	1. EEPROM	EEP IC2
2. DSP	1. DSP Serial I/F	DI/F IC2
	2. DSP IRQ Port I/F	DIRQ IC2
3. DSP DRAM	1. Data Bus	RDAT IC1
	2. Adress Bus	RADR IC1
4. CODEC POWER DOWN	1. CODEC POWER DOWN	MUTE IC5
5. LEVEL	1. So1L --> Si1R	LVL L->R
	2. So1L --> Si1L	LVL L->L
	3. So1R --> Si1R	LVL R->R
	4. So1R -> SEND -> RETURN -> Si1R	LVL RTN
	5.RET RMVE(Plug off RETURN jack)	----
	6. So1R --> Si1R	LVL IN

6. TUNER	1. 2217.461047Hz (C#7)	TUNER HI
	2. 25.9565436Hz (G#0)	TUNER LO

After NG occurred on INTERNAL CHECK, you can resume by pressing AMP/LINE switch and the following switch for each case;

Switch	How to resume INTERNAL CHECK
CUR_LEFT	Reexamine the NG step
CUR_RIGHT	Skip the NG step and proceeds to next step.
CUR_DOWN	Reexamine the NG item.
CUR_UP	Skip the NG item and proceeds to next item.

When all INTERNAL CHECK has finished, it automatically moves to operation check.

INTERNAL CHECK - 4. CODEC POWER DOWN (MUTE)

This is to check the connection between CODEC's PD (pin14) and DSP (Pin52-CPU contolled). Check Input level with the same setting as Step 1 of LEVEL check and confirm if it is 0 data output (in "mute"state).

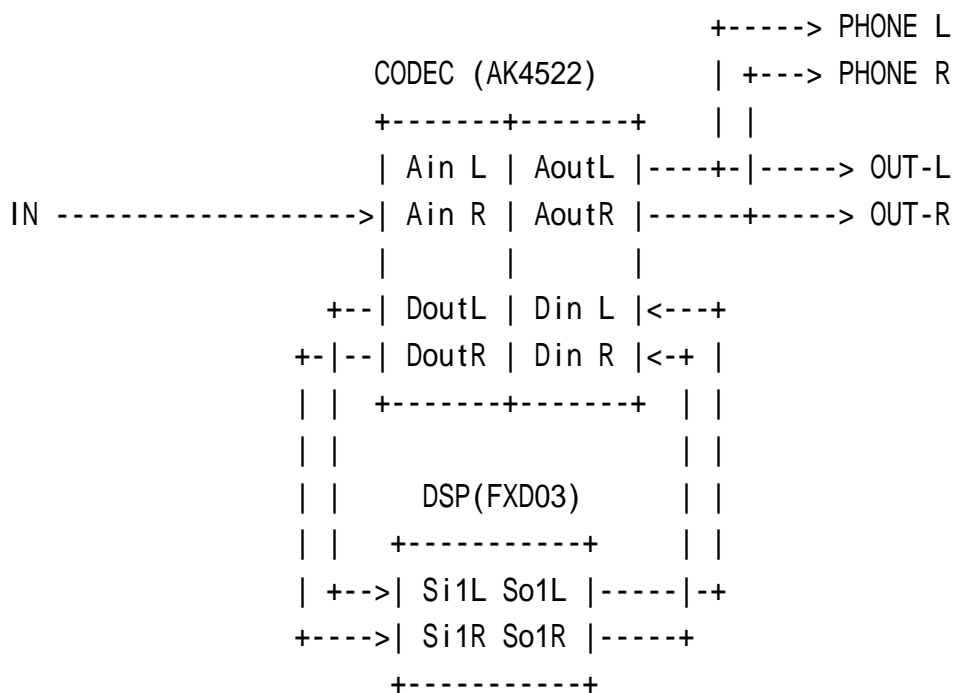
INTERNAL CHECK – 5. LEVEL

Output 1kHz sine wave from DSP to examine the a level returning to Input.

"PHONE-> INPUT" and "SEND -> RETURN" are supposed to be connected by testing cables. The following is Routing, output level and input level (within an allowance) of each step.

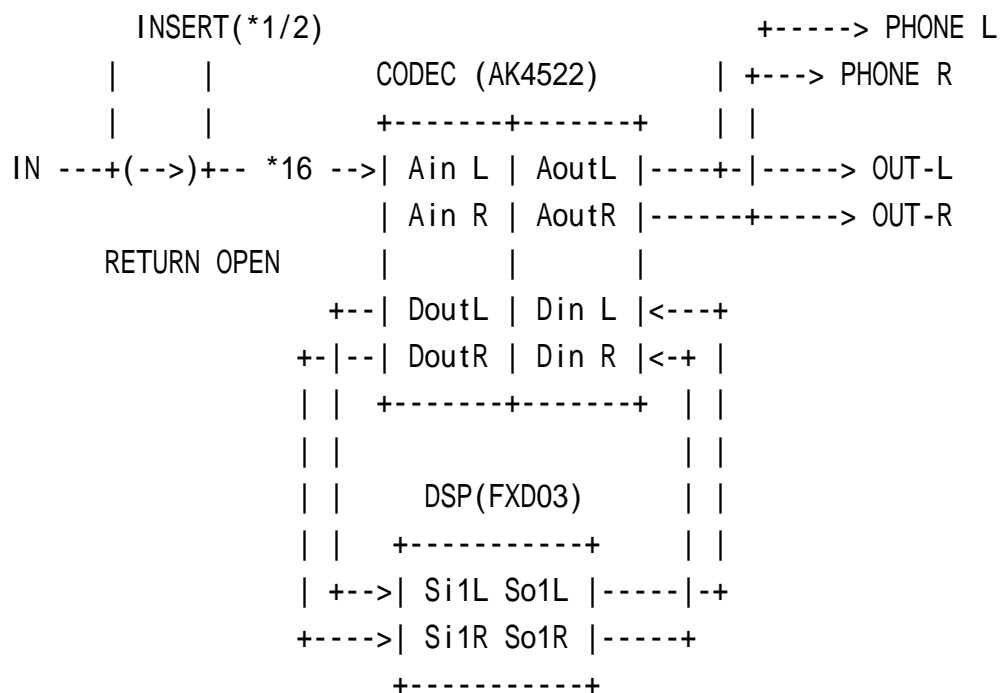
1. L->R , RETURN SW Off

DSP So1L (0.500(=1/2)) ---> DSP Si1R (0.338713 +-30%)



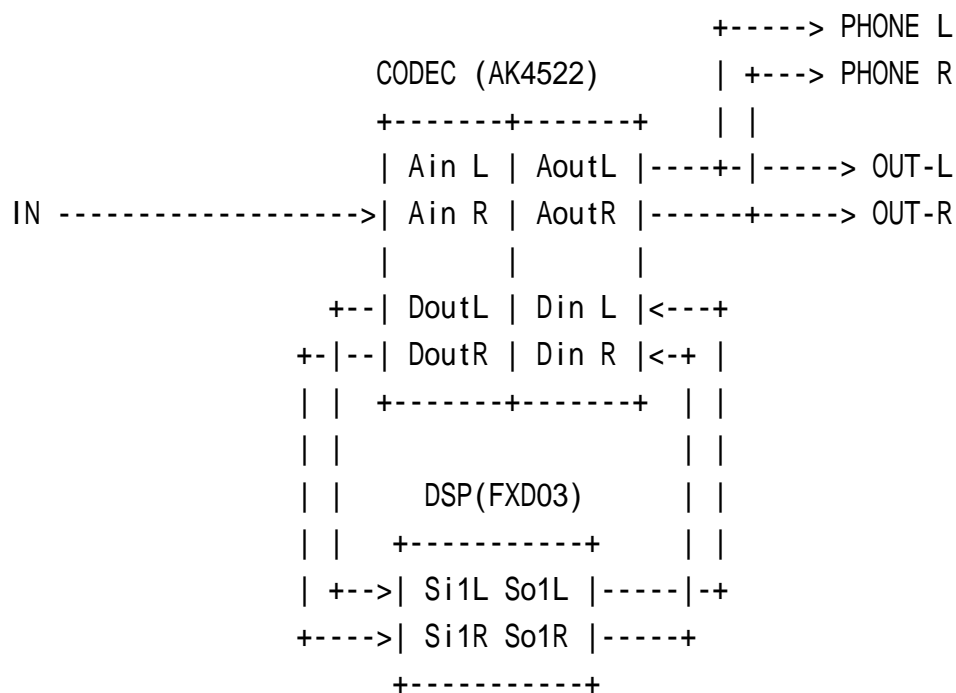
2. L->L , RETURN SW On

DSP So1L (0.031(=1/2*16)) ---> DSP Si1L (0.338713 +-30%)



3. R->R , RETURN SW Off

DSP So1R (0.500(=1/2)) ---> DSP Si1R (0.338713 +-30%)



INTERNAL CHECK - 6.TUNER

Output sine wave from AX1L of DSP2

Internal Check 6. TUNER

(PHONE-->INPUT is needed to be connected by the testing cable.

When the error occurred, "TUNER HI", "TUNERLO"(LCD) will be shown.

Operation Check

Item	Initial Display(LED)	Initial Display(LCD)
1. Pedal Half Adjustment	BANK LED All Lighting	PDL_CLB
2. Switch, LED	BANK LED Rounding	SW & LED
3. Binary Encoder	BANK LED "Ec"	BIN ENC
4. Volume with 11 Click	BANK LED "C1"	C11 KNOB
5. Volume(Without Click)	BANK LED "A1"	VOL KNOB
6. Pedal Calibration	BANK LED "P"	PEDAL
7. LCD BANK LED "Lc"	ALL Lighting	
8. Preset Load	BANK LED'P', CH LED Blinking	RELOAD?

CUR_UP/CUR_DOWN Switch--Selection of Test Item

CUR_LEFT Switch-----Return to the initial display of Item.(Except testing the switch)

WRITE Switch-----From NG Step, restart the checking.

Operation Check 1. Pedal half-fixed resistance adjustment "PDL CLB"(LCD)

1_1. Put the EXP Pedal MAX, then adjust the pedal's half fixed resistance and make the amount of LCD be around 110.

1_2. Check that all 2-color LEDs are blinking Green<->Red simultaneously.

1_5. Check the rest of RED LED are all lighting.

1_6. Press the CUR_RIGHT Switch.

Operation Check 2. Switch, LED "SW&LED"(LCD)

2_1. Check all BANK LED Segments can be lighting and press CUR_RIGHT Switch.

2_2. Check BANK display and LED display and press set SW.

LED BANK LED SW
All Lighting 1 CABINET
All Lighting 2 NR/PROG LVL
All Lighting 3 EXP/CTL
All Lighting 4 RENAME
All Lighting 5 AMP/LINE
All Lighting 6 GLOBAL
All Lighting 7 WRITE
All Lighting 8 EXIT/TUNER
All Lighting 9 CUR_LEFT
All Lighting 10 CUR_UP
All Lighting 11 CUR_RIGHT
All Lighting 12 CUR_DOWN
INSERT 13 INSERT
PRE FX 14 PRE FX
DRIVE/AMP 15 DRIVE/AMP
MODULATION 16 MODULATION
DELAY 17 DELAY
REVERB 18 REVERB
PEDAL IND8_R 18 REVERB
PEDAL IND7_R 18 REVERB
PEDAL IND6_R 18 REVERB
PEDAL IND5_R 18 REVERB
PEDAL IND4_R 18 REVERB
PEDAL IND3_R 18 REVERB
PEDAL IND2_R 18 REVERB
PEDAL IND1_R 18 REVERB
PEDAL IND8_G 18 REVERB
PEDAL IND7_G 18 REVERB
PEDAL IND6_G 18 REVERB
PEDAL IND5_G 18 REVERB
PEDAL IND4_G 18 REVERB
PEDAL IND3_G 18 REVERB
PEDAL IND2_G 18 REVERB
PEDAL IND1_G 18 REVERB
STEP SEQ 19 EXP STEP SEQ
DELAY TIME 21 DELAY TIME
VALUE_1 20 DELAY TIME
VALUE_2 20 DELAY TIME
VALUE_3 20 DELAY TIME
VALUE_4 20 DELAY TIME
VALUE_5 20 DELAY TIME

BANK_DOWN_R-G 21 BANK_DOWN
BANK_UP_R-G 22 BANK_UP
(Channel)1_R-G 23 (Channel) 1
(Channel)2_R-G 24 (Channel) 2
(Channel)3_R-G 25 (Channel) 3
(Channel)4_R-G 26 (Channel) 4
CONTROL_R-G 27 CONTROL

REVERB SELECT When turn the knob more than 3-clicks, it will get out of Swith Check and return to Step 1.

Operation Check 3. Binary Encoder "BIN ENC"(LCD)

1. DRIVE/AMP TYPE Select Knob

Adjust the knob to the top position and rotate the knob in clockwise direction.

Operation Check 4. Volume with 11 Click "CLL KNOB"

1. Turn the knob to MAX(most right).

If the knob is initially MAX, rotate back more than 1 Click then turn it to MAX.

After the Dot of LED start lighting, repeat the decrement.

2. Same as above, on MODULATION SELECT Knob(The initial display is BANK LED "C2"),

3. Same as above, on DELAY SELECT Knob(The initial display is BANK LED "C3"),

4. Same as above, on REVERB SELECT Knob(THe initial display is BANK LED "C4"),

When hold down #AMP/LINE Switch and press WRITE, EXIT/TUNE, it is possible to move the step.

Operation Check 5. VOLUME A/D "VOL KNOB"(LCD)

1. GAIN: Turn the knobs of AX3000G(or VOLUME:AX300B) to MAX(Most Right) and check that the DOT of BANK LED can be lighting.

2. Turn it to Minimum(Most Left).

Try the same test following the process below.

2. VOLUME:AX3000G(GAIN/MID FREQ:AX3000B)
3. TREBLE:AX3000G(BASS/DIRECT:AX3000B)
4. MIDDLE:AX3000G(MIDDLE:AX3000B)
5. BASS:AX3000G (TREBLE/TONE:AX3000B)

When hold down #AMP/LINE Switch and press WRITE, EXIT/TUNE, it will be able to move the step.

Operation Check 6. Pedal Calibration "PEDAL"(LCD)

- 1_1. Set EXP to Min and press CUR_RIGHT.
- 1_2. Set back EXP to MAX and check the display, BANK LED[-].
- 1_3. Set EXP to Min and check the display, BANK LED[=].
- 1_4. Move EXP several times and check whether the Error message is coming up to the display.
- 1_5. Press EXP and put on the Switch under the pedal, then check the pedal LED is going to be lighting Red.
- 1_6. Check LED is going to be green when release SW.
- 1_7. Press CUR_RIGHT.

Operation Check 7. LCD "LCD"(All segments are lighting)

1. After checking all are lighting, press CUR_RIGHT.
2. After checking all are black out, press CUR_RIGHT.
3. After checking they are blinking by folloing the correct pattern, press CUR_RIGHT.

Operation Check 8. PRESET LOAD "RELOAD"?

When press CUR_RIGHT Swith, it loads the factory save preset and then, the display shows "COMPLETE" for one minute.

MIDI Check(Internal check item 7)

Just before start checking, connect "MIDI IN" and "MIDI OUT".
Hold down AMP/LINE Switch and WRITE Switch and turn on(?).

If there is no problem, the display shows "b1"(BANK LED).

Testing Cable

(Testing Cable 1) PHONES Jack -> INPUT Jack

[PHONES] (mini stereo) [INPUT](mono phone)

PHONE R --(100Ω)--+

|

PHONE L --(100Ω)--+-----> IN (TIP)

GND -----> GND (RING)

(Testing Cable2) SEND Jack -> RETURN Jack

Attenuate to half the Voltage(Peak-Peak)

[SEND](phone) [RETURN](phone)

TIP ----(420(+90)kΩ)----> TIP

GND -----> RING

End of TEST MODE instructions.

PART CODE	PART NAME	NOTE	Q'TY
500304000070	TRANSISTOR 2SA812-T1B M5-7 M6 RANK (S)	KLM-2569/70 AX-3000G	1
500304020150	TRANSISTOR 2SC1623-T1B AL6 (S)	KLM-2569/70 AX-3000G	2
500304050220	TRANSISTOR DTC114ESA TP (S)	KLM-2568 AX-3000G	8
500304050240	TRANSISTOR DTA114ESA TP (LEAD) (D)	KLM-2568 AX-3000G	7
500304050250	TRANSISTOR DTC114EUA T106 (SC-70) (S)	KLM-2569/70 AX-3000G	2
500314001800	DIODE 1SS355 TE17 (S)	KLM-2569/70 AX-3000G	5
500320004704	IC HD6433847RC44HV(X3570)	KLM-2567 AX-3000G	1
500320012334	IC DSP MB87R1420PMC-G-BND(FXD03)	KLM-2569/70 AX-3000G	1
500324001015	IC OPAMP UPC4570G2-E2 TS (SOP 8) (S)	KLM-2569/70 AX-3000G	7
500324003010	IC INVERTER TC7WU04F (SM8) / (FM8) (S)	KLM-2569/70 AX-3000G	1
500324004176	LOGIC IC HD74HC05FPER (S)	KLM-2569/70 AX-3000G	1
500324007002	IC BA-10358F-E2 (S)	KLM-2569/70 AX-3000G	1
500324007005	VOLTAGE REGULATOR BA05FP E2 (5V 1A) (S)	KLM-2569/70 AX-3000G	1
500324009036	OPAMP NJM4556AM (S)	KLM-2569/70 AX-3000G	1
500324011032	IC RESET M51957AFP-600C TS (S)	KLM-2567 AX-3000G	1
500324018006	IC CODEC AK4522-VF-E2 (24PVSOP) (S)	KLM-2569/70 AX-3000G	1
500324021105	IC SN74LV245APWR (S)	KLM-2569/70 AX-3000G	1
500324043002	IC CAT24WC128JTE13 (S)	KLM-2567 AX-3000G	1
500324046004	SRAM IC T15V2M16B-55S (44TSOP2) (S)	KLM-2569/70 AX-3000G	1
500330003600	OPT MODULE TOTX179L	KLM-2569/70 AX-3000G	1
500334001700	PHOTO CAPULOR PS9714 M-RANK (S)	KLM-2569/70 AX-3000G	1
500335012200	CRISTAL HC-49US 22.5792MHZ (D)	KLM-2569/70 AX-3000G	1
500370005700	VR REB161 PVB20FHGRY1-4-16PCE L25 (D)	KLM-2568 AX-3000G	1
500405012000	AC ADAPTER KA-181 (100V/9V)	AX-3000G 100JP	1
500405012100	AC ADAPTER KA-183 (120V/9V)	AX-3000G 117CN	1
500405012100	AC ADAPTER KA-183 (12V/9V)	AX-3000G 117EX	1
500405012100	AC ADAPTER KA-183 (120V/9V)	AX-3000G 117US	1
500405012200	AC ADAPTER KA-189 (230V/9V)	AX-3000G 230FR	1
500405012200	AC ADAPTER KA-189 (230V/9V)	AX-3000G 230GE	1
500405012200	AC ADAPTER KA-189 (230V/9V)	AX-3000G 230WG	1
500405012300	AC ADAPTOERKA-186 (UK/9V)	AX-3000G 230UK	1
500450003900	PHONE JACK LJB0661-6 (D)	KLM-2569/70 AX-3000G	5
500454012700	DC JACK DJ32-2 (D)	KLM-2569/70 AX-3000G	1
500480010430	DIN JACK 5PX2 M1781-A (D)	KLM-2569/70 AX-3000G	1
510300511022	DIGITAL TR DTB113ES (D)	KLM-2568 AX-3000G	1
510300520506	TRANSISTOR 2SC4213 (A RANK) (SC-70)(S)	KLM-2569/70 AX-3000G	5
510309520001	PHOTO REFLECTOR RPR-359F(RANK C OR D)(D)	KLM-2569/70 AX-3000G	1
510310511503	DIODE DA204U T106 (SC-70) (S)	KLM-2569/70 AX-3000G	5
510310520501	DIODE 1SS133 T-77 (LEAD) (5K/REEL) (D)	KLM-2568 AX-3000G	32
510312510501	CHIP LED 12-21UYC /S400/ TR8 (S)	KLM-2567 AX-3000G	2
510312521005	LED RED/GREEN L-59SRSGW-CC (D)	KLM-2568 AX-3000G	16
510312522003	LED K1.8302RSD/ON (1.8MM RED DIFFUSE SU)	KLM-2568 AX-3000G	13
510316521501	LED TOD-5261BH-D (D)	KLM-2568 AX-3000G	1
510320514012	IC SHIFT REGISTER SN74HC595N (D)	KLM-2568 AX-3000G	3
510320514018	VOLTAGE REGULATOR BA3257FP	KLM-2569/70 AX-3000G	1
510320514019	VOLTAGE REGULATOR BA07CC0 FP-E2	KLM-2569/70 AX-3000G	1
510320516036	LOGIC IC SN74HCT125DR	KLM-2569/70 AX-3000G	1
510320516037	LOGIC CD4066BNSR	KLM-2569/70 AX-3000G	1
510320520502	IC OPAMP NJM4556AD (D)	KLM-2569/70 AX-3000G	1
510335510003	CRISTAL HC-49US (SMD) 10.000MHZ (S)	KLM-2567 AX-3000G	1
510360520009	VOLUME RK09L12B0A4S (10KA X2,L=15MM) (D)	KLM-2569/70 AX-3000G	1
510360522505	VR R1626N1AP4B10K 11C N/STOP C=15MM (D)	KLM-2568 AX-3000G	4
510360522510	VR R0913N1RA1-B10K L=25F (4R0913N012)(D)	KLM-2568 AX-3000G	5

PART CODE	PART NAME	NOTE	Q'TY
510374520002	TACT SWITCH SKHHDTA010 13MM (D)	KLM-2568 AX-3000G	1
510374520008	TRIMER RH0614CN4J (33K) (D)	KLM-2569/70 AX-3000G	1
510374522010	TACT SW TC-0408T-A00 (D)	KLM-2568 AX-3000G	27
510402511508	EMI BEADS BLM18AG102SN1 (1608) (S)	KLM-2569/70 AX-3000G	19
510405500013	LCD A77A009X	AX-3000G	1
510450520502	PHONE JACK EJS-5-1035B (MINI STEREO) (D)	KLM-2569/70 AX-3000G	1
510450520503	STEREO MINI JACK EJS-3-1635-01 (D)	KLM-2569/70 AX-3000G	1
510450522001	LED SPACER 7SEG KOC-F41043 (D)	KLM-2568 AX-3000G	1
510450523015	LED SPACER LEDH-8.5	KLM-2568 AX-3000G	16
510450525009	LED SPACER LED-4.5	KLM-2568 AX-3000G	5
510450525010	LED SPACER LED-8.5	KLM-2568 AX-3000G	8
510450525011	SPACER SUPPORT SDB-190	AX-3000G	3
510450527001	20PIN SOCKET BA-20SG (D)	KLM-2569/70 AX-3000G	1
510470521549	BOARD-IN HARNESS HNS-3547 3PIN HARNESS6	KLM-2569/70 AX-3000G	1
510470521550	BOARD-IN HARNESS HNS-3548 20P-20P	KLM-2568 AX-3000G	1
510474510005	PIN HEADER 200135FA036S200ZU 36PIN	KLM-2567 AX-3000G	1
510474510006	PIN HEADER 200112MS036S200ZU 36PIN	KLM-2568 AX-3000G	1
510474522505	WAFER JS-1132R-03	KLM-2569/70 AX-3000G	1
510500500008	RUBBER URETHANE LEG KOC-F40709	AX-3000G	6
510500502506	INTER-CONNECTOR L58*W2*H6.0	AX-3000G	2
510500504005	PEDAL RUBBER (L) KOC-E40629	AX-3000G	2
510500504006	PEDAL RUBBER(S) KOC-E40630	AX-3000G	7
510500504007	SW CUSHION KOC-E40631	AX-3000G	1
510640502508	GND PLATE SPT T=0.2 KOC-C41304	KLM-2569/70 AX-3000G	5
510640504022	PEDAL SPRING KOC-C41320	AX-3000G	7
510640505526	UPPER CASE 1 KOC-C20427-1	AX-3000G	1
510640505527	BOTTOM COVER KOC-C30671	AX-3000G	1
510640505528	PEDAL KOC-C20428	AX-3000G	1
510640505529	PEDAL SUPPORT KOC-C41391	AX-3000G	1
510640505530	PEDAL ANGLE KOC-C41392	AX-3000G	1
510640505531	ENCODER ANGLE KOC-C41393	AX-3000G	1
510640505532	SUPPORT ANGLE KOC-C41394	AX-3000G	1
510646043000	PLASTIC HOOK FOR CORD KOC-E40331	AX-3000G	1
510646077600	BL PLATE KOC-E40525	AX-3000G	1
510646502050	SIDEBOARD (L) KOC-E30377-1	AX-3000G	1
510646502051	SIDEBOARD(R) KOC-E30377-2	AX-3000G	1
510646502052	POM W ASHER KOC-E40627	AX-3000G	2
510646502053	3570VR KNOB KOC-E40632-1	AX-3000G	6
510646502054	3570KNOB KOC-E40572-2	AX-3000G	4
510646502055	FOOT SWITCH COVER KOC-E30378	AX-3000G	7
510646502056	ROUND BUTTON KOC-E30379	AX-3000G	2
510646502057	LCD FRAME KOC-E20256	AX-3000G	1
510646502058	VR FRAME KOC-E40628	AX-3000G	5
510646504060	KNOB ABS KOC-E40572	AX-3000G	1
510646506008	LCD WINDOW 1 KOC-E40634-1	AX-3000G	1
510646506009	LED GUIDE KOC-E40635	AX-3000G	1
510646506010	PEDAL SPACER KOC-F41213	AX-3000G	1
510646506011	REFLECTION SHEET KOC-F41178	AX-3000G	1
510646506012	PCB CUHION KOC-F41215	AX-3000G	1
510C32692567	KLM-2567 AX-3000G(ASS'Y)	AX-3000G	1
510C32692568	KLM-2568 AX-3000G(ASS'Y)	AX-3000G	1
510C32692569	KLM-2569/70 AX-3000G(ASS'Y)	AX-3000G	1

PART CODE	PART NAME	NOTE	Q'TY
500304000070	TR 2SA812-T1B (M5-7) (TS)	KLM-2569/70 AX-3000B	1
500304020150	TR 2SC1623-T1B (L7) (TS)	KLM-2569/70 AX-3000B	2
500304050220	TR DTC114ESA TP (TR)	KLM-2568 AX-3000B	8
500304050240	TR DTA114ESA TP	KLM-2568 AX-3000B	7
500304050250	TR DTC114EUA T106 (TS)	KLM-2569/70 AX-3000B	2
500314001800	DIODE 1SS355 TE-17 (TS)	KLM-2569/70 AX-3000B	5
500320012334	IC MB87R1420PMC-G-BND (FXD03)	KLM-2569/70 AX-3000B	1
500324001015	IC UPC4570G2-E2 (TS)	KLM-2569/70 AX-3000B	7
500324003010	IC TC7WU04F TE12L (TS)	KLM-2569/70 AX-3000B	1
500324004176	IC HD74HC05FPER (TS)	KLM-2569/70 AX-3000B	1
500324007002	IC BA10358F-T1(2K) (TS)	KLM-2569/70 AX-3000B	1
500324007005	IC BA05FP-E2 (TS)	KLM-2569/70 AX-3000B	1
500324009036	IC NJM4556AM-T1	KLM-2569/70 AX-3000B	1
500324011032	IC M51957AFP	KLM-2567 AX-3000B	1
500324018006	IC CODEC AK4522-VF-E2(24PVSOP)	KLM-2569/70 AX-3000B	1
500324021105	IC SN74LV245APWR (TS)	KLM-2569/70 AX-3000B	1
500324043002	IC CAT24WC128JTE13 (S)	KLM-2567 AX-3000B	1
500324046004	IC T15V2M16B-55S (44TSOP2) (S)	KLM-2569/70 AX-3000B	1
500330003600	OPT MODULE TOTX179L	KLM-2569/70 AX-3000B	1
500334001700	PHOTO CAPULOR PS9714 M-RANK (S)	KLM-2569/70 AX-3000B	1
500335012200	X'TAL HC-49US 22.5792MHZ	KLM-2569/70 AX-3000B	1
500370005700	VR REB161 PVB20FHGRY1-4-16PCE	KLM-2568 AX-3000B	1
500405012000	AC ADAPTOR KA-181(100V/9V)	AX-3000B 100JP	1
500405012100	AC ADAPTOR KA-183(120V/9V)	AX-3000B 117US	1
500405012100	AC ADAPTOR KA-183(120V/9V)	AX-3000B 117US	1
500405012200	AC ADAPTOR KA-189(230V/9V)	AX-3000B 230WG	1
500405012200	AC ADAPTOR KA-189(230V/9V)	AX-3000B 230WG	1
500405012200	AC ADAPTOR KA-189(230V/9V)	AX-3000B 230WG	1
500405012300	AC ADAPTOR KA-186(UK/9V)	AX-3000B 230UK	1
500450003900	PHONE JACK LJB0661-6	KLM-2569/70 AX-3000B	5
500454012700	DC POWER JACK DJ32-2	KLM-2569/70 AX-3000B	1
500646043000	PLASTIC HOOK FOR CORD KOC-E40331	AX-3000B	1
500646077600	BL PLATE KOC-E40525	AX-3000B	1
510300511022	DIGITAL TR DTB113ES (D)	KLM-2568 AX-3000B	1
510300520506	TR 2SC4213 (A RANK) (SC-70)(S)	KLM-2569/70 AX-3000B	5
510309520001	PHOTO REFLECTOR RPR-359F	KLM-2569/70 AX-3000B	1
510310511503	DIODE DA204U T106 (SC-70) (S)	KLM-2569/70 AX-3000B	5
510310520001	DIODE 1S4 (D)	KLM-2569/70 AX-3000B	1
510310520501	DIODE 1SS133 T-77 (LEAD) (D)	KLM-2568 AX-3000B	32
510312510501	CHIP LED 12-21UYC /S400/ TR8 (S)	KLM-2567 AX-3000B	2
510312521005	LED RED/GREEN L-59SRSGW-CC (D)	KLM-2568 AX-3000B	16
510312522003	LED K1.8302RSD/ON (1.8MM RED)	KLM-2568 AX-3000B	13
510316521501	LED TOD-5261BH-D (D)	KLM-2568 AX-3000B	1
510320004708	IC CPU HD6433847RC75HV(X3571)	KLM-2569/70 AX-3000B	1
510320514012	IC SHIFT REGISTER SN74HC595N (D)	KLM-2568 AX-3000B	3
510320514018	VOLTAGE REGULATOR BA3257FP	KLM-2569/70 AX-3000B	1
510320514019	VOLTAGE REGULATOR BA07CC0	KLM-2569/70 AX-3000B	1
510320516036	LOGIC IC SN74HCT125DR	KLM-2569/70 AX-3000B	1
510320516037	LOGIC CD4066BNSR	KLM-2569/70 AX-3000B	1
510320520502	IC OPAMP NJM4556AD (D)	KLM-2569/70 AX-3000B	1
510335510003	X'TAL HC-49US 10.000MHZ (S)	KLM-2567 AX-3000B	1
510360520009	VR RK09L12B0A4S(10KA X2,L=15MM)	KLM-2569/70 AX-3000B	1
510360522505	VR R1626N1AP4B10K 11C N/STOP	KLM-2568 AX-3000B	4

PART CODE	PART NAME	NOTE	Q'TY
510360522510	VR R0913N1RA1-B10K L=25F	KLM-2568 AX-3000B	5
510374520002	TACT SWITCH SKHHDTA010 13MM(D)	KLM-2568 AX-3000B	1
510374520008	TRIMER RH0614CN4J (33K) (D)	KLM-2569/70 AX-3000B	1
510374522010	TACT SW TC-0408T-A00 (D)	KLM-2568 AX-3000B	27
510402511508	EMI BEADS BLM18AG102SN1 (S)	KLM-2569/70 AX-3000B	17
510405500013	LCD A77A009X	AX-3000B	1
510450520016	DIN JACK DIN-520BX2(D)	KLM-2569/70 AX-3000B	1
510450520502	PHONE JACK EJS-5-1035B (MINI STEREO)	KLM-2569/70 AX-3000B	1
510450520503	STEREO MINI JACK EJS-3-1635-01 (D)	KLM-2569/70 AX-3000B	1
510450522001	LED SPACER 7SEG KOC-F41043 (D)	KLM-2568 AX-3000B	1
510450523015	LED SPACER LEDH-8.5	KLM-2568 AX-3000B	16
510450527001	20PIN SOCKET BA-20SG (D)	KLM-2569/70 AX-3000B	1
510470521549	BOARD-IN HARNESS HNS-3547 3PIN HARNESS6	KLM-2569/70 AX-3000B	1
510470521550	BOARD-IN HARNESS HNS-3548 20P-20P	KLM-2568 AX-3000B	1
510474510005	PIN HEADER 200135FA036S200ZU 36PIN	KLM-2567 AX-3000B	1
510474510006	PIN HEADER 200112MS036S200ZU 36PIN	KLM-2568 AX-3000B	1
510474522505	WAFER JS-1132R-03	KLM-2569/70 AX-3000B	1
510500500008	RUBBER URETHANE LEG KOC-F40709	AX-3000B	6
510500502506	INTER-CONNECTOR L58*W2*H6.0	AX-3000B	2
510500504005	PEDAL RUBBER (L) KOC-E40629	AX-3000B	2
510500504006	PEDAL RUBBER(S) KOC-E40630	AX-3000B	7
510500504007	SW CUSHION KOC-E40631	AX-3000B	1
510640502508	GND PLATE SPT T=0.2 KOC-C41304	KLM-2569/70 AX-3000B	5
510640504022	PEDAL SPRING KOC-C41320	AX-3000B	7
510640505527	BOTTOM COVER KOC-C30671	AX-3000B	1
510640505528	PEDAL KOC-C20428	AX-3000B	1
510640505529	PEDAL SUPPORT KOC-C41391	AX-3000B	1
510640505530	PEDAL ANGLE KOC-C41392	AX-3000B	1
510640505531	ENCODER ANGLE KOC-C41393	AX-3000B	1
510640505532	SUPPORT ANGLE KOC-C41394	AX-3000B	1
510640505541	UPPER CASE 2 KOC-C20427-2	AX-3000B	1
510640505543	DIN JACK CASE KOC-C41445	AX-3000B	1
510646502050	SIDEBOARD (L) KOC-E30377-1	AX-3000B	1
510646502051	SIDEBOARD(R) KOC-E30377-2	AX-3000B	1
510646502052	POM W ASHER KOC-E40627	AX-3000B	2
510646502053	3570VR KNOB KOC-E40632-1	AX-3000B	6
510646502054	3570KNOB KOC-E40572-2	AX-3000B	4
510646502055	FOOT SWITCH COVER KOC-E30378	AX-3000B	7
510646502056	ROUND BUTTON KOC-E30379	AX-3000B	2
510646502057	LCD FRAME KOC-E20256	AX-3000B	1
510646502058	VR FRAME KOC-E40628	AX-3000B	5
510646504060	KNOB ABS KOC-E40572	AX-3000B	1
510646506010	PEDAL SPACER KOC-F41213	AX-3000B	1
510646506011	REFLECTION SHEET KOC-F41178	AX-3000B	1
510646506012	PCB CUHION KOC-F41215	AX-3000B	1
510646506014	LCD WINDOW 2 KOC-E40634-2	AX-3000B	1
510C32702567	KLM-2567 AX-3000B	AX-3000B	1
510C32702568	KLM-2568 AX-3000B	AX-3000B	1
510C32702569	KLM-2569 AX-3000B	AX-3000B	1